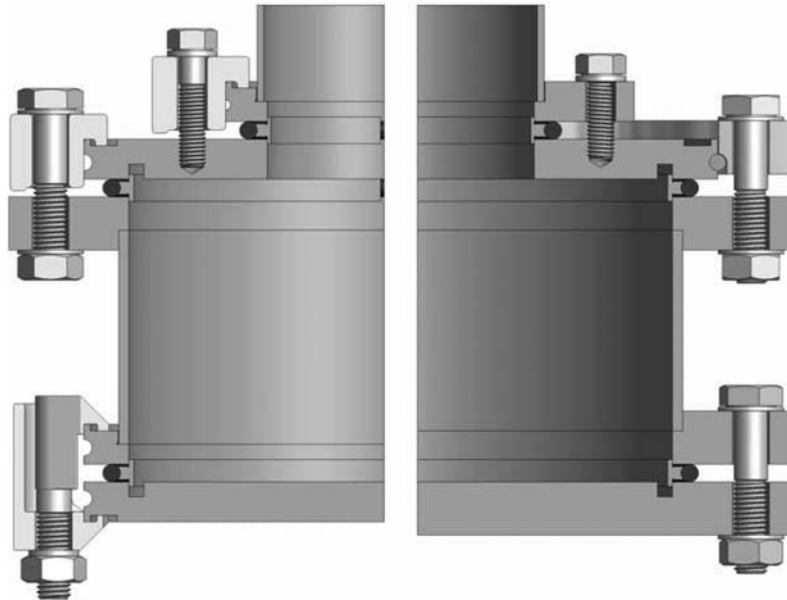


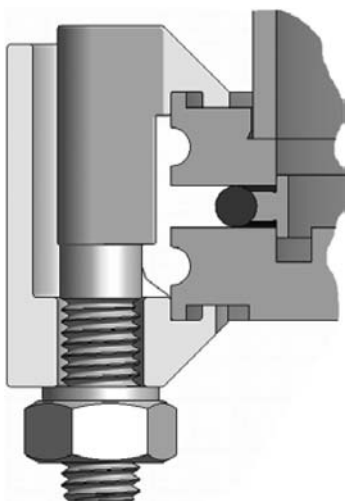
## Introduction

The ISO-KF standard for clamp connections (DIN 28404, ISO 1609) is the standard connection for vacuum pipes from the nominal diameter of DN63 used in fine and high vacuum. The numerous possibilities of the connection between two flanges are shown in the following figures:



## Functional principle

Figure 1: Connection with claw clamps

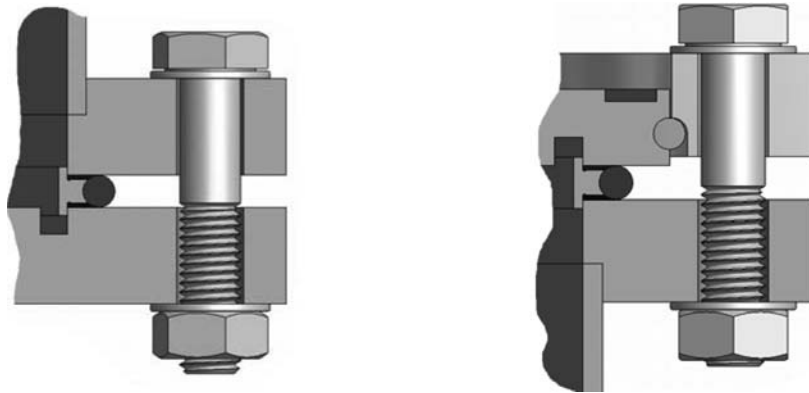


ISO-K: Two single flanges are connected with the help of claw clamps. The flanges have a groove on the back in which the claw clamps are hooked and press the flanges together.

Such as KF connections there is a sealing with centering ring and o-ring between the flanges. Mostly an additional trapped centering ring is used which enables an assembly with constant distance.

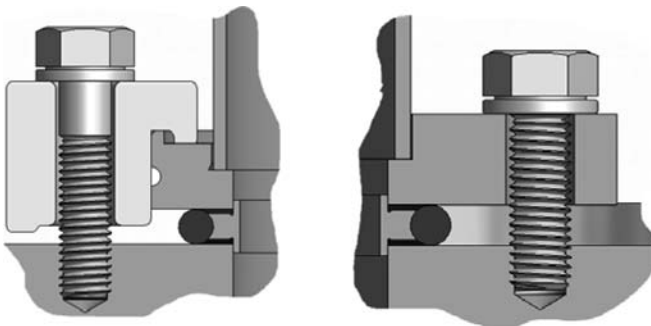
## Introduction

1 Figure 2: Connection with screws



ISO-K flanges with holes are called ISO-F flanges. The sealings are the same as for ISO-K flanges. Both flanges are easily to combine with other. An ISO-K flange can be transformed into a rotatable ISO-F flange by means of a rotatable bolt ring with retaining ring. Screws hold the flanges together.

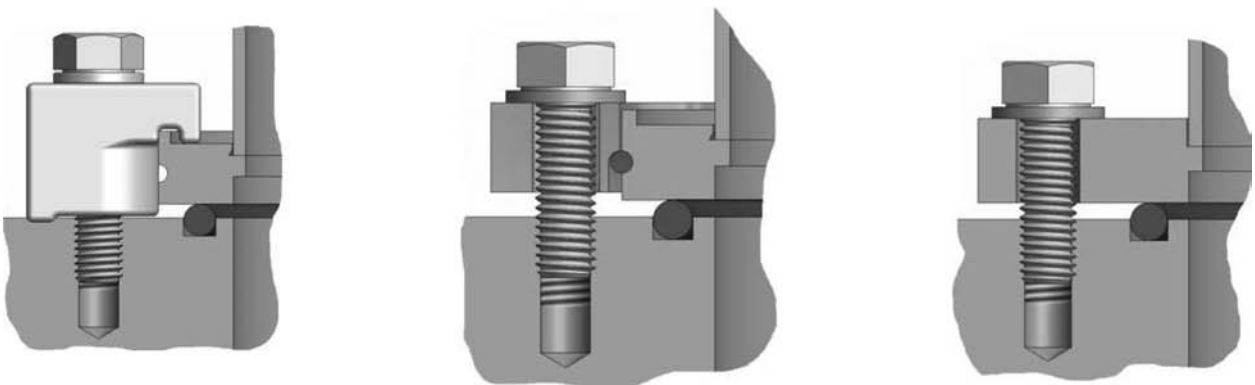
Figure 3: Combination ISO-K / ISO-F



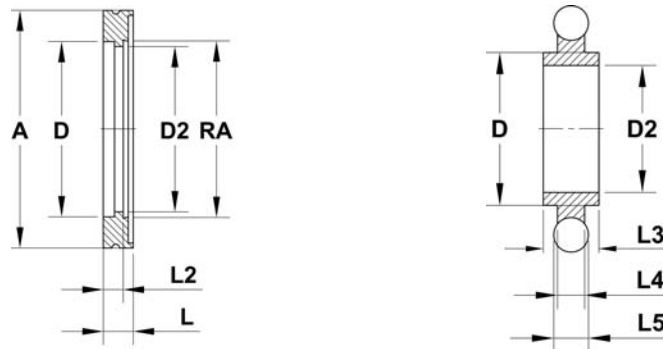
ISO-F flanges are commonly used for wall mounting or with gate valves. An ISO-K flange can be fastened thereon with the help of claw clamps. Claw clamps are available for blind tapped as holes as well as for through bolt holes.

Further combination possibilities:

It is possible to dispense with the screws, if the o-ring lies in a groove of the flange. But claw clamps and wall clamps with mated length have to be used in this case.



## Introduction



### Dimensions of flanges and centering rings

Nominal diameter	63	80	100	160	200	250	320	400	500	630
A	95	110	130	180	240	290	370	450	550	690
D	70	83	102	153	213	261	318	400	501	651
D2	66 / 70	81 / 83	100 / 102	150 / 153	200 / 213	250 / 261	318	400	501	651
RA	70 / 76	85 / 89	104 / 108	154 / 159	204 / 219	254 / 267	324	406	508	660
L	12	12	12	12	12	12	17	17	17	22
L2	8 / 6	8 / 6	8 / 6	8 / 6	8 / 6	8 / 6	10	10	10	15
L3	8	8	8	8	8	8	14	14	14	14
L4	3.9	3.9	3.9	3.9	3.9	3.9	5.6	5.6	5.6	5.6
L5	5.3	5.3	5.3	5.3	5.3	5.3	7	7	7	7
Number of clamps	4	4	4	4	6	6	8	8	12	12
Number of claw clamps	4	8	8	8	12	12	12	16	16	20
Claw clamp size	M8 x 35	M8 x 35	M8 x 35	M10 x 40	M10 x 40	M10 x 40	M12 x 50	M12 x 50	M12 x 50	M12 x 55
Number of screws	4	8	8	8	12	12	12	16	16	20
Screw size	M8 x 40	M8 x 40	M8 x 40	M10 x 50	M10 x 50	M10 x 50	M12 x 60	M12 x 60	M12 x 60	M12 x 70

### Materials

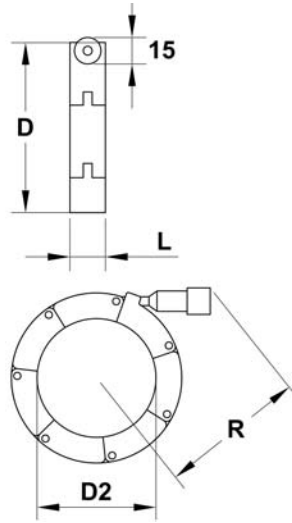
Sealing	Flange	Components
NBR (O-ring) FPM (O-ring) Aluminium (edge sealing) Aluminium (centering ring / trapped centering ring) Stainless steel 304 (centering ring)	Stainless steel 304 Stainless steel 316L	Stainless steel 304 Stainless steel 304L Stainless steel 316L Stainless steel 321 Stainless steel 316Ti

### Fields of application

Materials Components and sealings	Pressure range (mbar - bar)	Leak rate (mbar l / s)	Recommended connecting element
Stainless steel with elastomer sealing	1.0E-7 - 1.5	1.0E-9	with claw clamp or wall clamp
Stainless steel with metal sealing	1.0E-9 - 1.5	< 1.0E-9	with chain clamp or ISO-F with nuts

## ISO Clamps

### 1 ISO Clamp chains, aluminium



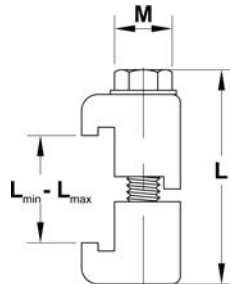
#### Technical data

- Temperature FPM gasket 150 °C
- Temperature aluminium gasket 150 °C
- Lock material stainless steel
- Bolt material stainless steel
- Flange type conical ISO flanges

Order code	DN	D	D2	R	L
<b>XA63</b>	63	112	77	78	20
<b>XA80</b>	80	144	103	107	34
<b>XA100</b>	100	164	123	113	34

- Closing moment depends on sealing material, see data sheet.

### ISO Double claw clamps, aluminium

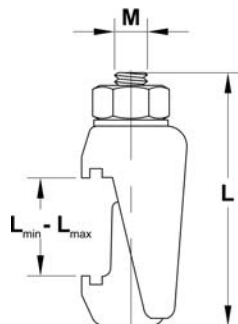


#### Technical data

- Application with centering ring

Order code	DN	M	L	Lmax	Lmin
<b>ISO63/100DCA</b>	63 - 100	M8	50	28	22
<b>ISO160/250DCA</b>	160 - 250	M10	51	34	23
<b>ISO320/500DCA</b>	320 - 500	M12	67	50	36

### ISO Double claw clamps



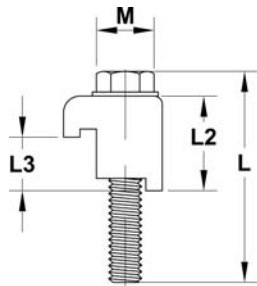
#### Technical data

- Application with centering ring

Order code	Order code	DN	M	L	Lmax	Lmin
Mild steel, zinc plated	Stainless steel					
<b>ISO63/250DCMS</b>	<b>ISO63/250DCSS</b>	63 - 250	M10	60	27	16
<b>ISO320/500DCMS</b>	<b>ISO320/500DCSS</b>	320 - 500	M12	76	37	27
<b>ISO630DCMS</b>	-	630	M12	86	46	36

## ISO Clamps

### ISO Wall clamps



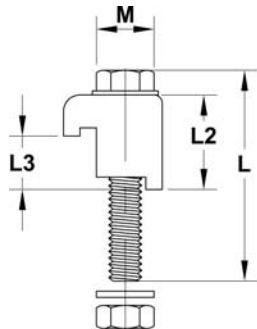
#### Technical data

■ Application

for blind tapped holes with centering rings

Order code			DN	M	L	L2	L3
Aluminium	Mild steel, zinc plated	Stainless steel					
ISO63/100WCA	ISO63/100WCMS	ISO63/100WCSS	63 - 100	M8	34	23	14
ISO160/250WCA	ISO160/250WCMS	ISO160/250WCSS	160 - 250	M10	35	23	14
ISO320/500WCA	ISO320/500WCMS	ISO320/500WCSS	320 - 500	M12	48	30	21

### ISO Wall clamps, steel nuts and washers



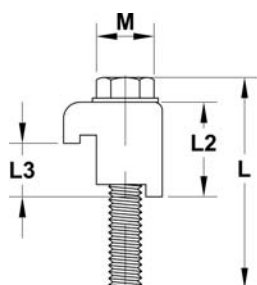
#### Technical data

■ Application

for through bolt holes with centering rings

Order code		DN	M	L	L2	L3
Aluminium	Mild steel, zinc plated					
ISO63/100WCNA	ISO63/100WCN	63 - 100	M8	44	23	14
ISO160/250WCNA	ISO160/250WCN	160 - 250	M10	50	23	14
ISO320/500WCNA	ISO320/500WCN	320 - 500	M12	59	36	21

### ISO Wall clamps, mild steel, zinc plated



#### Technical data

■ Application

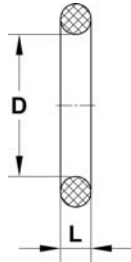
with O-ring without centering ring

Order code	DN	M	L	L2	L3
ISO63/100WCO	63 - 100	M8	29	18	10
ISO160/250WCO	150 - 250	M10	35	19	10
ISO320/500WCO	320 - 500	M12	45	31	15

## ISO Centering rings

1

### ISO O-rings

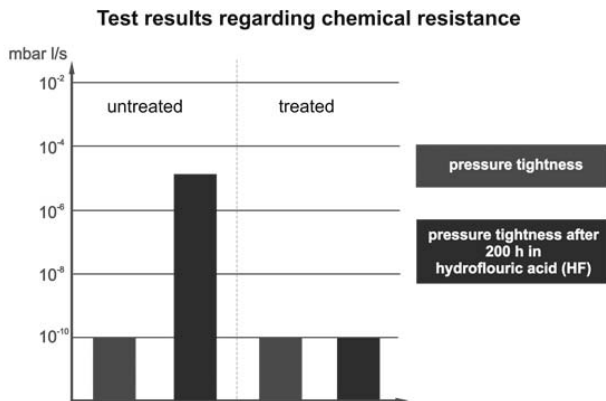


#### Technical data

- Temperature range NBR -10 °C to 100 °C
- Temperature range FPM -10 °C to 150 °C (intermittent 200 °C)

Order code			DN	D	L
NBR	FPM	FPM resistant			
ISO63NR	ISO63VR	ISO63VR-BEH	63	76	5.3
ISO80NR	ISO80VR	ISO80VR-BEH	80	88	5.3
ISO100NR	ISO100VR	ISO100VR-BEH	100	107	5.3
ISO160NR	ISO160VR	ISO160VR-BEH	160	158	5.3
ISO200NR	ISO200VR	ISO200VR-BEH	200	209	5.3
ISO250NR	ISO250VR	ISO250VR-BEH	250	253	5.3
ISO320NR	ISO320VR	ISO320VR-BEH	320	330	7

### Chemically resistant ISO O-ring seals

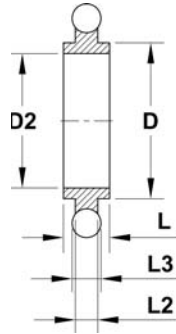


The commonly used elastomer seals suffer irreversible damage in corrosive environments. VACOM developed a procedure which significantly increases the lifetime of FPM O-rings used in aggressive processes.

The procedure involves the sealing of the pores of the FPM so that corrosive liquids and gases are unable to penetrate the O-ring structure. The consequent reduction in contact surface area enables a considerable increase in the lifetime of the O-ring.

## ISO Centering rings

### ISO Centering rings, NBR



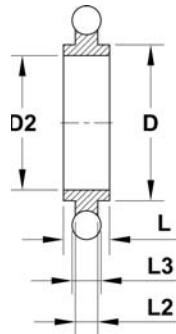
#### Technical data

- Temperature range -10 °C to 100 °C

Order code		DN	D	D2	L	L2	L3
Aluminium	Stainless steel						
ISO63ANCR	ISO63SNCR	63	70	68	8	3.9	5.3
ISO80ANCR	ISO80SNCR	80	83	81	8	3.9	5.3
ISO100ANCR	ISO100SNCR	100	102	100	8	3.9	5.3
ISO160ANCR	ISO160SNCR	160	153	150	8	3.9	5.3
ISO200ANCR	ISO200SNCR	200	213	210	8	3.9	5.3
ISO250ANCR	ISO250SNCR	250	261	258	8	3.9	5.3
ISO320ANCR	ISO320SNCR	320	318	315	14	5.6	7

- Larger nominal widths on request

### ISO Centering rings, FPM



#### Technical data

- Temperature range -10 °C to 150 °C (intermittent 200 °C)
- Option revised chemical resistance see page 1-32

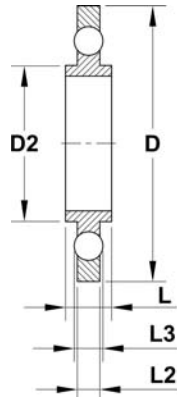
Order code			DN	D	D2	L	L2	L3
Aluminium	Stainless steel 304	Stainless steel 316L						
ISO63AVCR	ISO63SVCR-304	ISO63SVCR-316	63	70	68	8	3.9	5.3
ISO80AVCR	ISO80SVCR-304	ISO80SVCR-316	80	83	81	8	3.9	5.3
ISO100AVCR	ISO100SVCR-304	ISO100SVCR-316	100	102	100	8	3.9	5.3
ISO160AVCR	ISO160SVCR-304	ISO160SVCR-316	160	153	150	8	3.9	5.3
ISO200AVCR	ISO200SVCR-304	ISO200SVCR-316	200	213	210	8	3.9	5.3
ISO250AVCR	ISO250SVCR-304	ISO250SVCR-316	250	261	258	8	3.9	5.3
ISO320AVCR	ISO320SVCR-304	ISO320SVCR-316	320	318	315	14	5.6	7

- Larger nominal widths on request

## ISO Centering rings

1

### ISO Trapped centering rings, NBR



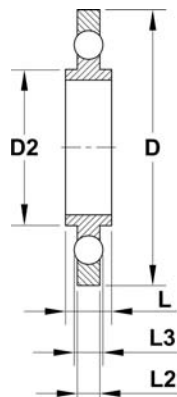
#### Technical data

- Temperature range -10 °C to 100 °C

Order code		DN	D	D2	L	L2	L3
Alu/Alu	Alu/stainless steel						
ISO63ANCRT	ISO63SNCRT	63	94	70	8	3.9	5.3
ISO80ANCRT	ISO80SNCRT	80	109	83	8	3.9	5.3
ISO100ANCRT	ISO100SNCRT	100	128	102	8	3.9	5.3
ISO160ANCRT	ISO160SNCRT	160	179	153	8	3.9	5.3
ISO200ANCRT	ISO200SNCRT	200	239	213	8	3.9	5.3
ISO250ANCRT	ISO250SNCRT	250	287	261	8	3.9	5.3
ISO320ANCRT	ISO320SNCRT	320	358	318	14	5.6	7

- Larger nominal widths on request

### ISO Trapped centering rings, FPM



#### Technical data

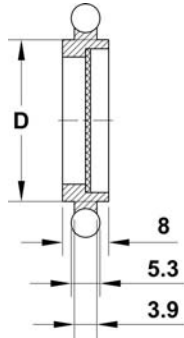
- Temperature range -10 °C to 150 °C (intermittent 200 °C)
- Option revised chemical resistance see page 1-32

Order code			DN	D	D2	L	L2	L3
Alu/Alu	Alu/stainless steel 304	Alu/stainless steel 316L						
ISO63AVCRT	ISO63SVCRT-304	ISO63SVCRT-316	63	94	70	8	3.9	5.3
ISO80AVCRT	ISO80SVCRT-304	ISO80SVCRT-316	80	109	83	8	3.9	5.3
ISO100AVCRT	ISO100SVCRT-304	ISO100SVCRT-316	100	128	102	8	3.9	5.3
ISO160AVCRT	ISO160SVCRT-304	ISO160SVCRT-316	160	179	153	8	3.9	5.3
ISO200AVCRT	ISO200SVCRT-304	ISO200SVCRT-316	200	239	213	8	3.9	5.3
ISO250AVCRT	ISO250SVCRT-304	ISO250SVCRT-316	250	287	261	8	3.9	5.3
ISO320AVCRT	ISO320SVCRT-304	ISO320SVCRT-316	320	358	318	14	5.6	7

- Larger nominal widths on request

## ISO Centering rings

### ISO Mesh centering rings, stainless steel, FPM

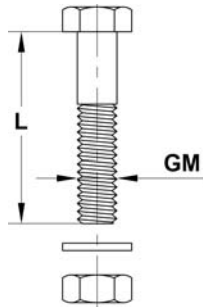


#### Technical data

- Temperature range -10 °C to 150 °C (intermittent 200 °C)
- Mesh size MCRV 4 mm
- Mesh size MCR1V 1 mm
- Wire size MCRV 0.9 mm
- Wire size MCR1V 0.3 mm

Order code		DN	D
4 mm, 0.9 mm	1 mm, 0.3 mm		
ISO63MCRV	ISO63MCR1V	63	70
ISO100MCRV	ISO100MCR1V	100	102
ISO160MCRV	ISO160MCR1V	160	153

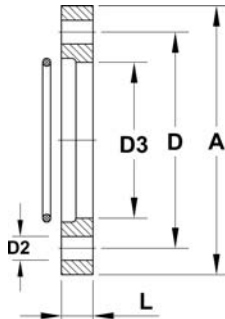
### ISO Nut bolt and washer sets for two bolted flanges



Order code	DN	GM	L	Pack size
ISO63NBW	63	M8	40	4
ISO80NBW	80	M8	40	8
ISO100NBW	100	M8	40	8
ISO160NBW	160	M10	50	8
ISO200NBW	200	M10	50	12
ISO250NBW	250	M10	50	12
ISO320NBW	320	M12	60	12

## ISO Fittings

### ISO Rotatable boltrings with retaining ring, steel, nickel plated

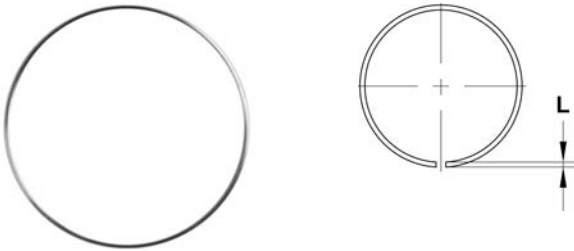


Order code	DN	A	D	D2	D3	L	Number of holes
ISO63R	63	130	110	9	95	12	4
ISO80R	80	145	125	9	110	12	8
ISO100R	100	165	145	9	130	12	8
ISO160R	160	225	200	11	180	16	8
ISO200R	200	285	260	11	240	16	12
ISO250R	250	335	310	11	290	16	12
ISO320R	320	425	395	14	371	20	12

## ISO Fittings

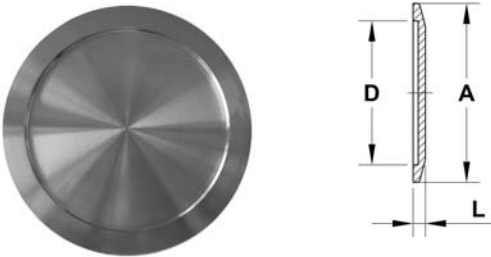
1

### ISO Replacement retaining rings for rotatable bolt rings



Order code	L	To fit ring
ISO63RR	3	ISO63R
ISO80RR	3	ISO80R
ISO100RR	3	ISO100R
ISO160RR	5	ISO160R
ISO200RR	5	ISO200R
ISO250RR	5	ISO250R
ISO320RR	5	ISO320R

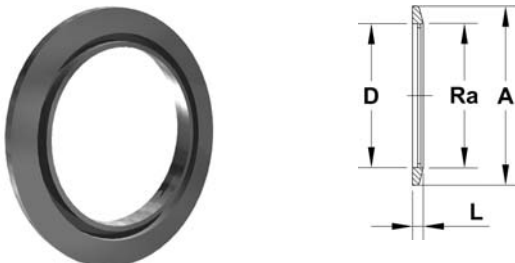
### ISO Blank flanges, conical, stainless steel



Order code	DN	A	D	L
KF63BS-304	63	87	70	5
KF80BS-304	80	114	83	12
KF100BS-304	100	134	102	12

- Mountable with ISO clamp chains

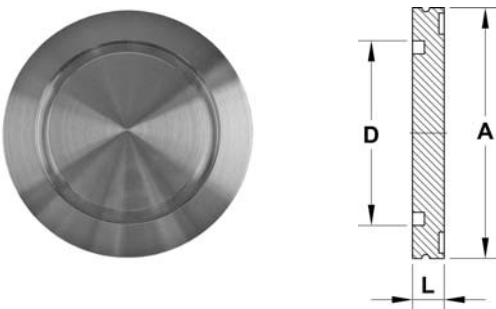
### ISO Bored flanges, conical, stainless steel



Order code	DN	A	D	RA	L
KF63B63-304	63	87	70	63	5
KF80B76-304	80	114	83	76	12
KF100B102-304	100	134	102	102	12

- Mountable with ISO clamp chains

### ISO Claw clamp blank flanges, stainless steel



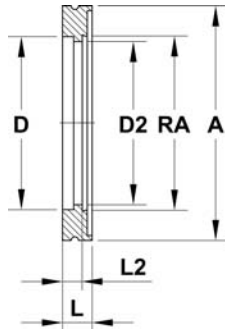
Order code		DN	A	D	L
St. steel 304	St. steel 316L				
ISO63BK-304	ISO63BK-316	63	95	70	12
ISO80BK-304	ISO80BK-316	80	110	83	12
ISO100BK-304	ISO100BK-316	100	130	102	12
ISO160BK-304	ISO160BK-316	160	180	153	12
ISO200BK-304	ISO200BK-316	200	240	213	12
ISO250BK-304	ISO250BK-316	250	290	261	12
ISO320BK-304	ISO320BK-316	320	370	318	17

- ISO-F flanges on request
- Larger nominal widths on request

## ISO Fittings

### ISO Claw clamp bored flanges, stainless steel

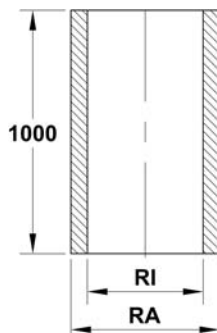
1



Order code		DN	A	D	D2	RA	L	L2
<b>Stainless steel 304</b>	<b>Stainless steel 316L</b>							
<b>ISO63B70-304</b>	<b>ISO63B70-316</b>	63	95	70	66	70	12	8
-	<b>ISO63B76-316</b>	63	95	70	70	76	12	6
<b>ISO80B85-304</b>	<b>ISO80B85-316</b>	80	110	83	81	85	12	8
-	<b>ISO80B89-316</b>	80	110	83	83	89	12	6
<b>ISO100B104-304</b>	<b>ISO100B104-316</b>	100	130	102	102	104	12	8
-	<b>ISO100B108-316</b>	100	130	102	102	108	12	6
<b>ISO160B154-304</b>	<b>ISO160B154-316</b>	160	180	153	151	154	12	8
-	<b>ISO160B159-316</b>	160	180	153	153	159	12	6
<b>ISO200B204-304</b>	<b>ISO200B204-316</b>	200	240	213	200	204	12	8
-	<b>ISO200B219-316</b>	200	240	213	213	219	12	6
<b>ISO250B254-304</b>	<b>ISO250B254-316</b>	250	290	261	250	254	12	8
-	<b>ISO250B267-316</b>	250	290	261	261	267	12	6
-	<b>ISO320B324-316</b>	320	370	318	318	324	17	10

- ISO-F flanges on request
- Larger nominal widths on request

### ISO Tube, 1 m length, stainless steel



#### Technical data

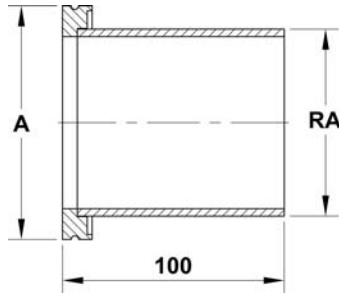
- Lengthwise welded
- Outside and inside etched
- Ra < 0.8 μm
- Ra (welding seam area) < 1.6 μm

Order code		DN	RI	RA
<b>St. steel 304</b>	<b>St. steel 316L</b>			
<b>R304-70x2.0-1</b>	<b>R316-70x2.0-1</b>	63	66	70
<b>R304-85x2.0-1</b>	<b>R316-85x2.0-1</b>	80	81	85
<b>R304-104x2.0-1</b>	<b>R316-104x2.0-1</b>	100	100	104
<b>R304-154x2.0-1</b>	<b>R316-154x2.0-1</b>	160	150	154
<b>R304-204x2.0-1</b>	<b>R316-204x2.0-1</b>	200	200	204

## ISO Fittings

1

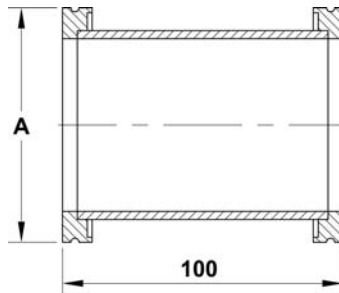
### ISO Claw clamp tubulations (half nipples), stainless steel



Order code	DN	A	RA
ISO63TU	63	95	76
ISO63TU-70	63	95	70
ISO80TU	80	110	89
ISO80TU-85	80	110	85
ISO100TU	100	130	108
ISO100TU-104	100	130	104
ISO160TU	160	180	159
ISO160TU-154	160	180	154
ISO200TU	200	240	219
ISO200TU-204	200	240	204
ISO250TU	250	290	267
ISO250TU-254	250	290	254
ISO320TU	320	370	324

- Other materials and lengths on request

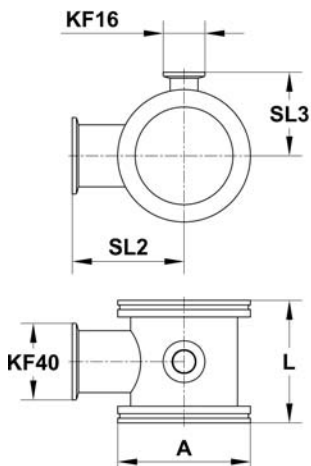
### ISO Straight connectors (full nipples), stainless steel



Order code	DN	A
ISO63SC	63	95
ISO80SC	80	110
ISO100SC	100	130
ISO160SC	160	180
ISO200SC	200	240
ISO250SC	250	290

- Other materials and lengths on request

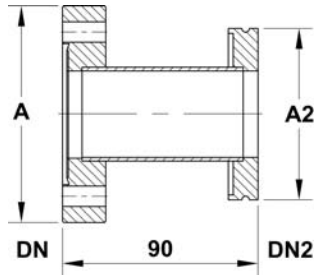
### ISO Straight connectors with KF lateral ports, stainless steel



Order code	DN	A	SL2	SL3	L
ISO63SC4016K	63	95	80	60	88
ISO100SC4016K	100	130	75	75	108
ISO160SC4016K	160	180	100	100	138

## ISO Fittings

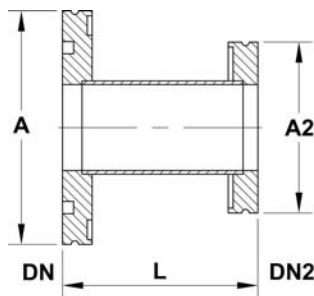
### CF-ISO Adapters, stainless steel



Order code	DN	DN2	A	A2
SA6363	63	63	114	95
SA1063	100	63	152	95
SA1010	100	100	152	130
SA1510	150	100	203	130
SA1516	150	160	203	180

- Other adapters and lengths on request

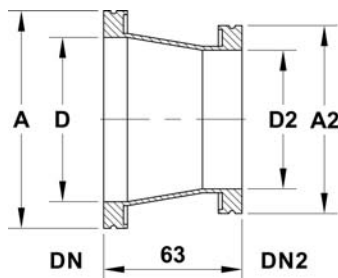
### ISO Tubulated reducing adapters, stainless steel



Order code		DN	DN2	A	A2	L
Stainless steel 304	Stainless steel 316L					
ISO100R63-304	ISO100R63-316	100	63	130	95	50
ISO160R63-304	ISO160R63-316	160	63	180	95	50
ISO160R100-304	ISO160R100-316	160	100	180	130	50
ISO200R100-304	ISO200R100-316	200	100	240	130	90
ISO250R100-304	ISO250R100-316	250	100	290	130	90

- Other reductions and length on request

### ISO Tubulated reducing adapters, conical, stainless steel

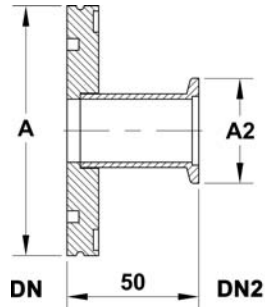


Order code	DN	DN2	A	A2	D	D2
ISO80R63/CO	80	63	110	95	83	70
ISO100R63/CO	100	63	130	95	102	70
ISO100R80/CO	100	80	130	110	102	83
ISO160R63/CO	160	63	180	95	153	70
ISO160R100/CO	160	100	180	130	153	102

## ISO Fittings

1

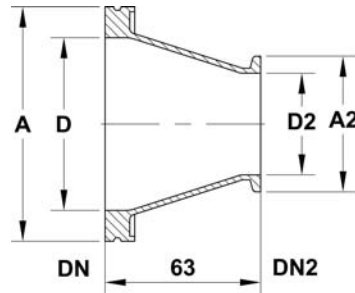
### ISO-KF Adapters, stainless steel



Order code		DN	DN2	A	A2
St. steel 304	St. steel 316L				
SK6325-304	SK6325-316	63	25	95	40
SK6340-304	SK6340-316	63	40	95	55
SK6350-304	SK6350-316	63	50	95	75
SK1040-304	SK1040-316	100	40	130	55

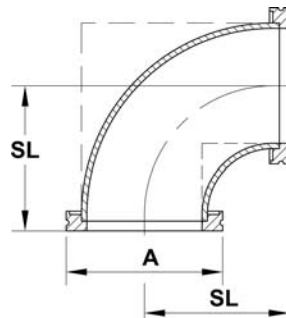
- Other adapters on request

### ISO-KF Adapters, conical, stainless steel



Order code	DN	DN2	A	A2	D	D2
SK6340/CO	63	40	95	55	70	41
SK6350/CO	63	50	95	75	70	52
SK8040/CO	80	40	95	55	83	41
SK8050/CO	80	50	95	75	83	52
SK1040/CO	100	40	130	55	102	41
SK1050/CO	100	50	130	75	102	52

### ISO Elbows 90°, stainless steel

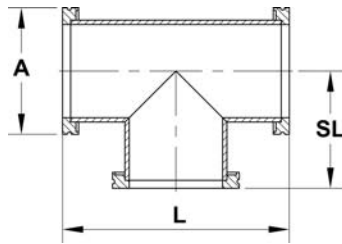


Order code		DN	A	SL	Form
Stainless steel 304	Stainless steel 316L				
ISO63E-304	ISO63E-316	63	95	88	swept
ISO80E-304	ISO80E-316	80	110	98	swept
ISO100E-304	ISO100E-316	100	130	108	swept
ISO160E-304	ISO160E-316	160	180	138	mitred
ISO200E-304	ISO200E-316	200	240	178	mitred

- Larger nominal widths on request

## ISO Fittings

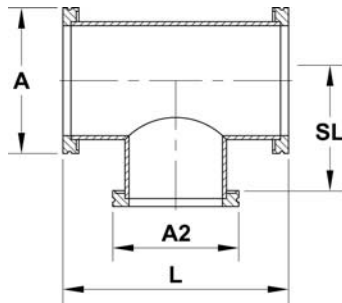
### ISO Tees, stainless steel



Order code		DN	A	L	SL
St. steel 304	St. steel 316L				
ISO63TE-304	ISO63TE-316	63	95	176	88
ISO80TE-304	ISO80TE-316	80	110	196	98
ISO100TE-304	ISO100TE-316	100	130	216	108
ISO160TE-304	ISO160TE-316	160	180	276	138
ISO200TE-304	ISO200TE-316	200	240	356	178

- Larger nominal widths on request

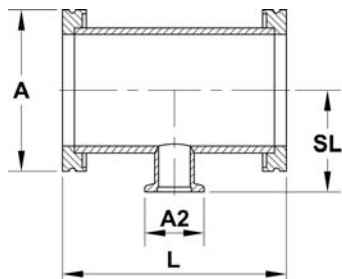
### ISO Unequal tees, stainless steel



Order code		DN	DN2	A	A2	L	SL
Stainless steel 304	Stainless steel 316L						
ISO100TE63-304	ISO100TE63-316	100	63	130	95	216	107
ISO160TE63-304	ISO160TE63-316	160	63	180	95	276	130
ISO160TE100-304	ISO160TE100-316	160	100	180	130	276	131
ISO200TE100-304	ISO200TE100-316	200	100	240	130	356	161

- Larger nominal widths on request

### ISO to KF Reducing tees, stainless steel



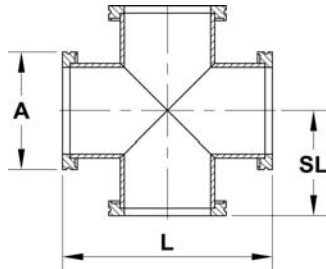
Order code		DN	DN2	A	A2	L	SL
Stainless steel 304	Stainless steel 316L						
ISO63TE25-304	ISO63TE25-316	63	25	95	40	204	79
ISO63TE40-304	ISO63TE40-316	63	40	95	55	204	76
ISO100TE40-304	ISO100TE40-316	100	50	130	75	260	111

- Other reductions and lengths on request

## ISO Fittings

1

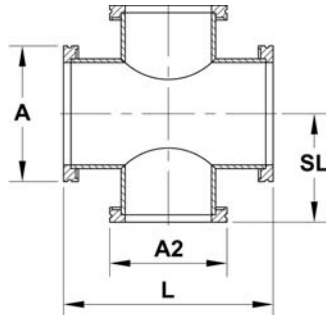
### ISO 4-way crosses, stainless steel



Order code		DN	A	L	SL
St. steel 304	St. steel 316L				
ISO63X-304	ISO63X-316	63	95	176	88
ISO80X-304	ISO80X-316	80	110	196	98
ISO100X-304	ISO100X-316	100	130	216	108
ISO160X-304	ISO160X-316	160	180	276	138
ISO200X-304	ISO200X-316	200	240	356	178

- Larger nominal widths on request

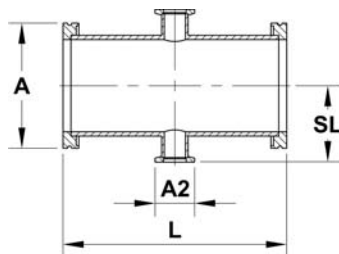
### ISO Unequal 4-way crosses, stainless steel



Order code		DN	DN2	A	A2	L	SL
Stainless steel 304	Stainless steel 316L						
-	ISO80X63-316	80	63	110	95	190	98
ISO100X63-304	ISO100X63-316	100	63	130	95	114	108
-	ISO100X80-316	100	80	130	110	222	108
ISO160X63-304	ISO160X63-316	160	63	180	95	260	138
-	ISO160X80-316	160	80	180	110	238	138
ISO160X100-304	ISO160X100-316	160	100	180	130	262	138

- Other reductions and lengths on request

### ISO to KF Reducing crosses, stainless steel



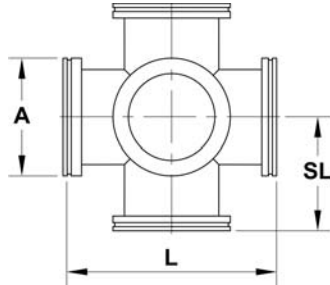
Order code		DN	DN2	A	A2	L	SL
Stainless steel 304	Stainless steel 316L						
ISO63X25-304	ISO63X25-316	63	25	95	40	204	58
ISO63X40-304	ISO63X40-316	63	40	95	55	204	76
ISO100X40-304	ISO100X40-316	100	40	130	55	260	95
ISO100X50-304	ISO100X50-316	100	50	130	75	260	111

- Other reductions and lengths on request

# ISO Components

## ISO Fittings

### ISO 6-way crosses, stainless steel



Order code	DN	A	L	SL
ISO63XX	63	95	176	88
ISO80XX	80	110	196	98
ISO100XX	100	130	216	108
ISO160XX	160	180	276	138
ISO200XX	200	240	356	178

### ISO Flange caps, plastics

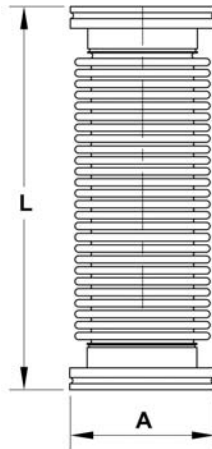


Order code	DN	Pack size
ISO63CAP	63	10
ISO100CAP	100	10
ISO160CAP	160	10
ISO200CAP	200	1
ISO250CAP	250	1

## ISO Flexible hoses

1

### ISO Flexible hoses, stainless steel

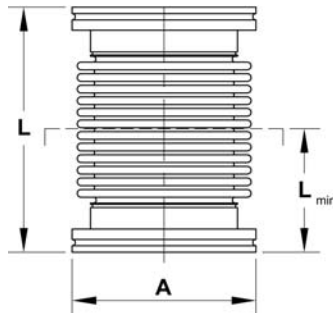


#### Technical data

■ Material flange	1.4301
■ Material bellows	1.4404

Order code	DN	A	L
ISO63FX25	63	95	250
ISO63FX50	63	95	500
ISO63FX75	63	95	750
ISO63FX100	63	95	1000
ISO80FX25	80	110	250
ISO80FX50	80	110	500
ISO80FX75	80	110	750
ISO80FX100	80	110	1000
ISO100FX25	100	130	250
ISO100FX50	100	130	500
ISO100FX75	100	130	750
ISO100FX100	100	130	1000
ISO160FX25	160	180	250
ISO160FX50	160	180	500
ISO160FX75	160	180	750
ISO160FX100	160	180	1000

### ISO Hydroformed bellows connectors, stainless steel



#### Technical data

■ Material flange	1.4301
■ Material bellows	1.4571
■ Tolerances	L ±2 mm

Order code	DN	A	Lmin	L
ISO63FXB	63	95	112	130
ISO80FXB	80	110	88	127
ISO100FXB	100	130	104	130
ISO160FXB	160	180	172	220
ISO200FXB	200	240	172	200
ISO250FXB	250	290	172	170